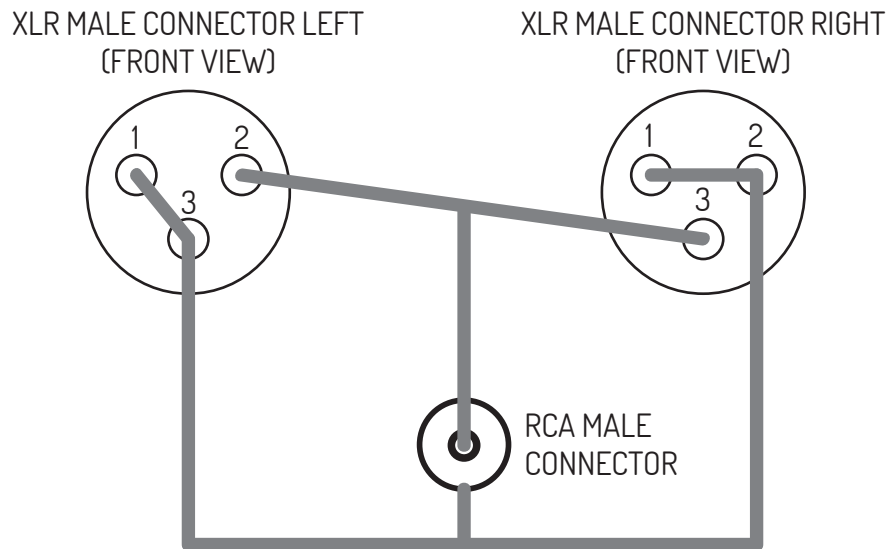


# Desiderio

## MONO BRIDGING DIAGRAM

### INPUT



### OUTPUT

